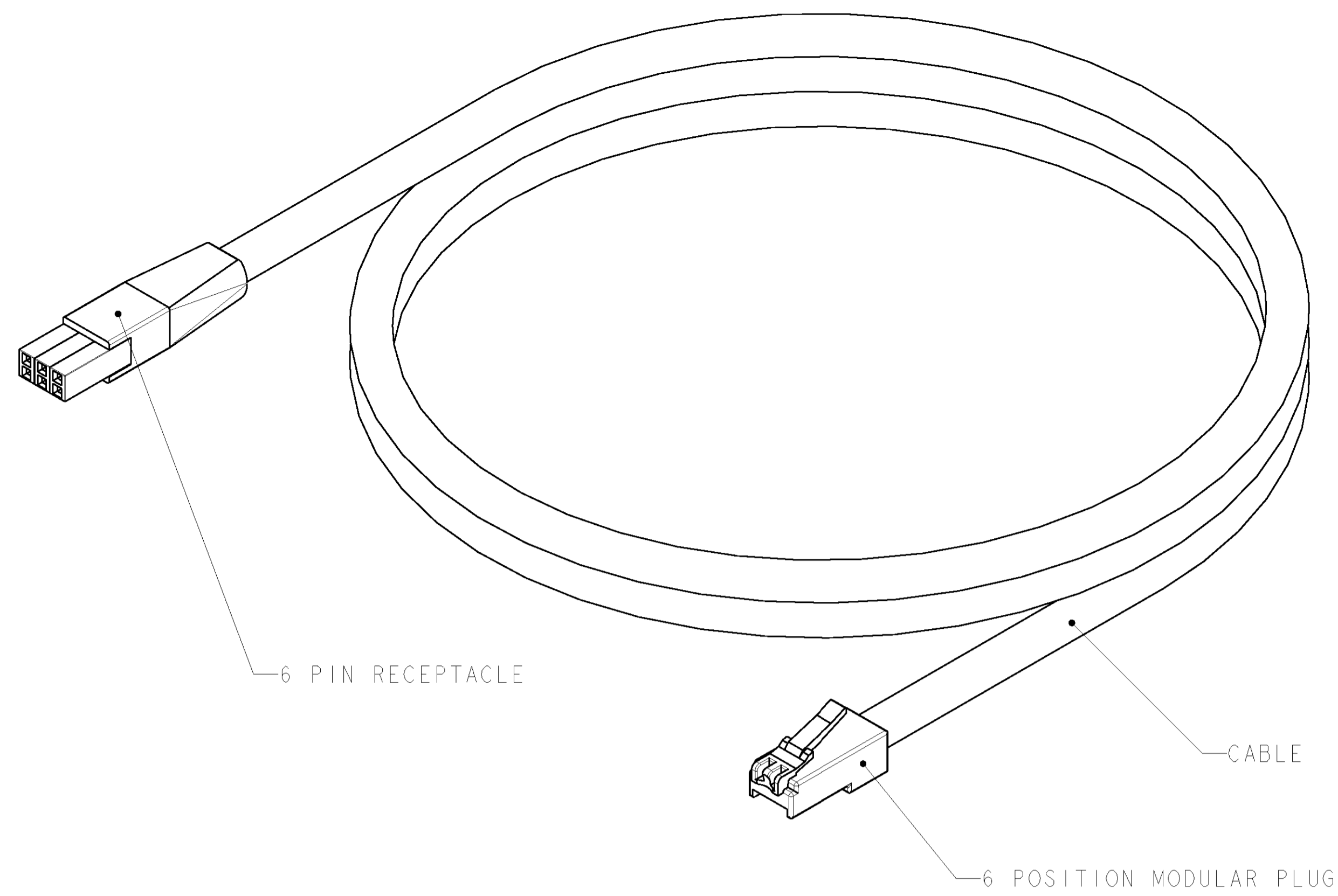
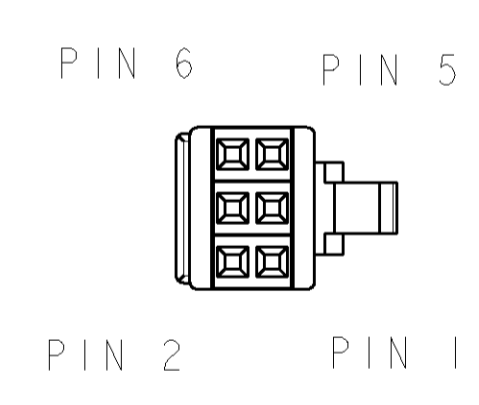


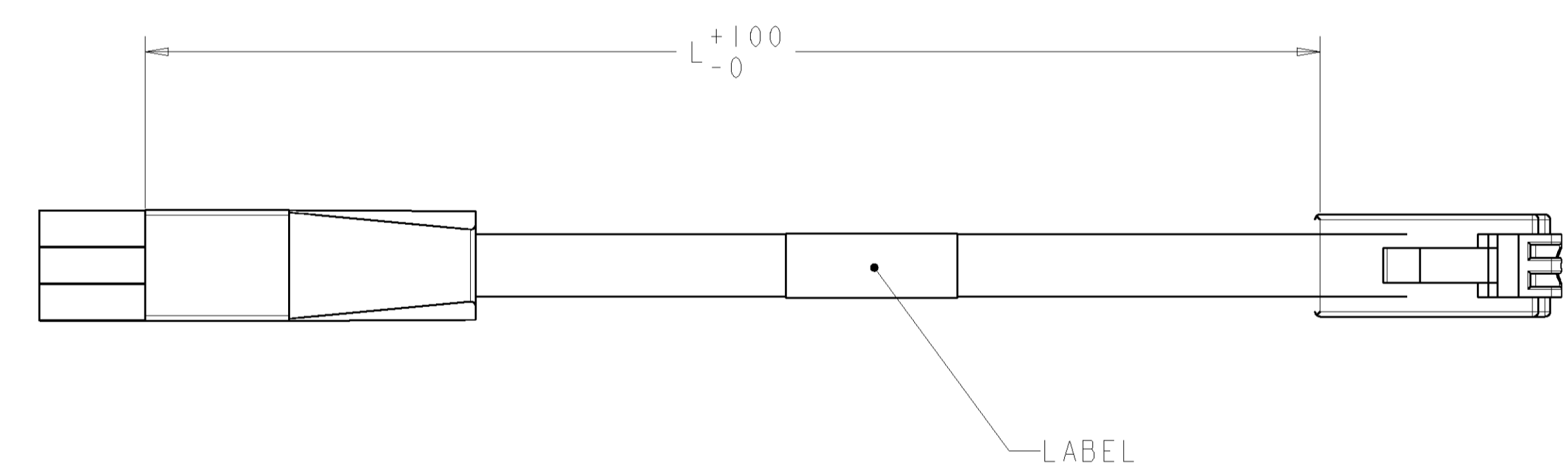
LOC		DIST		REVISIONS				
1K		2		P. LTR	DESCRIPTION	DATE	DWN	APVD
				A	ESE0-0077-03	01-Sep-03	JG	JG
				B	ESE0-0110-03	06-Nov-03	JG	JG



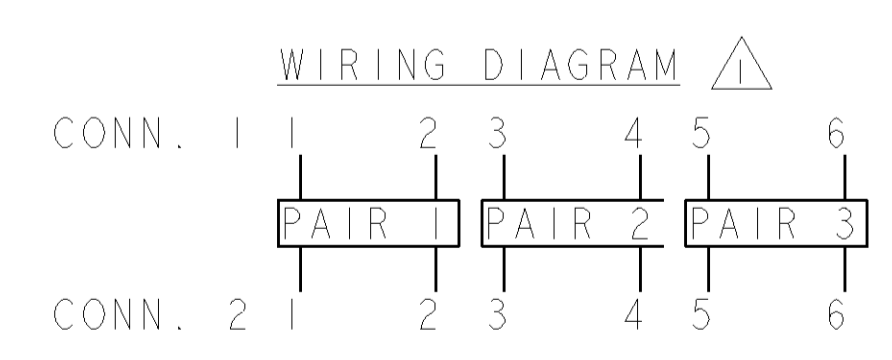
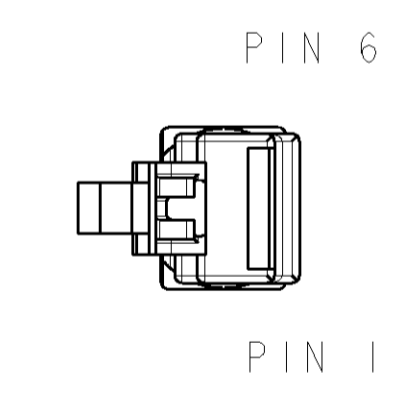
⚠ CABLE ASSEMBLY SHALL BE WIRED PER WIRING DIAGRAM.
 ⚠ ABCD IS DATE CODE, AB - YEAR, CD - WEEK.



(CONNECTOR 1)



(CONNECTOR 2)



⚠ AMPTRAC I/O CABLE 28AWG FH01 E148114 (UL) LSZH ABCD

CABLE MARKING

5	5000.0 [196.85]	1435650-5
4	4000.0 [157.48]	1435650-4
3	3000.0 [118.11]	1435650-3
2	2000.0 [78.74]	1435650-2
1	1000.0 [39.37]	1435650-1
METER	L	PART NUMBER

<small>THIS DRAWING IS UNPUBLISHED. RELEASED FOR PUBLICATION. THE INFORMATION IS UNCLASSIFIED EXCEPT FOR THE REQUIREMENTS INFORMATION WHICH IS UNCLASSIFIED EXCEPT FOR THE INFORMATION CONTAINED HEREIN. THIS INFORMATION IS CONTROLLED BY THE INFORMATION CONTROLLING ORGANIZATION WHICH IS CONTROLLED BY THE CREST POSITION.</small>		DWN G. GARRETT 09APR03 ENR P. PEPE 09APR03 APVD P. PEPE 09APR03	tyco Electronics Tyco Electronics AMP Espana S.A. Barcelona, Spain
DIMENSIONS: MM [INCHES]	TOLERANCES UNLESS OTHERWISE SPECIFIED: 0 PLC ± 1 PLC ± 2 PLC ± 3 PLC ± 4 PLC ± ANGLES ± FINISH ±	NAME AMPTRAC I/O CABLE TO 6-POSITION MODULAR PLUG, LSZH	SIZE CAGE CODE DRAWING NO RESTRICTED TO A 00779 C-1435650
MATERIAL	FINISH	WEIGHT	SCALE NTS SHEET 1 OF 1 REV B
CUSTOMER DRAWING		SCALE NTS SHEET 1 OF 1 REV B	